

Universal open frame mounting

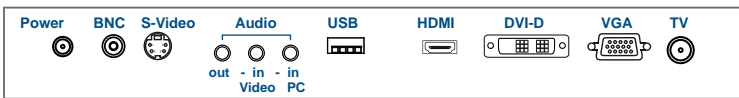


Display Benefits

- ▶ 22" widescreen LCD with high brightness 1000 cd/m²
- ▶ Green LED-backlit panel technology
- ▶ Rugged construction against external impact

Options

- HDMI, DVI-D, S-Video + BNC & Audio
- 3G / HD / SD-SDI Broadcast-grade input
- MCS Multi-display control solution
- HW22" Touchscreen : Capacitive, Resistive
- MIL-type or lockable connector
- 48V or 24VDC power
- TV - PAL or NTSC
- Auto / switch dimming



Standard I/O : VGA only

Options I/O : BNC + S-Video, Audio, TV, USB for touchscreen
HDMI or DVI-D (either one)

Specifications

LCD Panel

- Size (diagonal) : 22" TFT
- Max resolution : 1680 x 1050
- Brightness (cd/m²) : 1000
- Backlight : LED
- Colors : 16.7 M
- Contrast ratio (typ) : 1000 : 1
- Viewing angle (H/V) : 160° x 160°
- Active area (mm) : 474 x 296
- MTBF (hrs) : 50,000
- Signal input : VGA

Weight

- Net : 5 kgs (11 lbs)

Mounting :

Universal mount / VESA mount

Environmental

- Operating : 0 to 50°C Degree
- Storage : -5 to 60°C Degree
- Relative humidity : 5~90%, non-condensing
- Shock : 10G acceleration (11 ms duration)
- Vibration : 5~500Hz 1G RMS random vibration

Casing Color :

Dark grey (RAL 7037)

Regulatory :

FCC, CE

Power

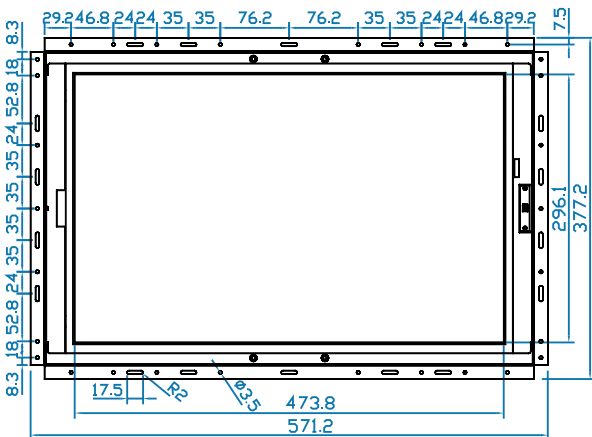
- Input : Auto-sensing 100 to 240VAC, 50 / 60Hz
- Consumption : Max. 84 Watt, Standby 5 Watt

Dimensions

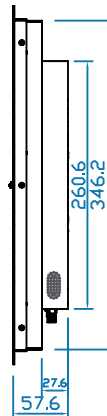
Product : 571 x 58 x 377 mm / 22.5 x 2.3 x 14.9 inch

Diagrams (mm)

Front View



Side View



Rear View

